

## Indoor amplifier

# AFI122T

## AFI Series



New range of indoor amplifiers that enable the user to amplify and distribute TV and SAT signals to every outlet, guaranteeing optimum signal level throughout the system. Compact and elegant design. Fully compatible with DTT signals in COFDM modulation.

### Key points

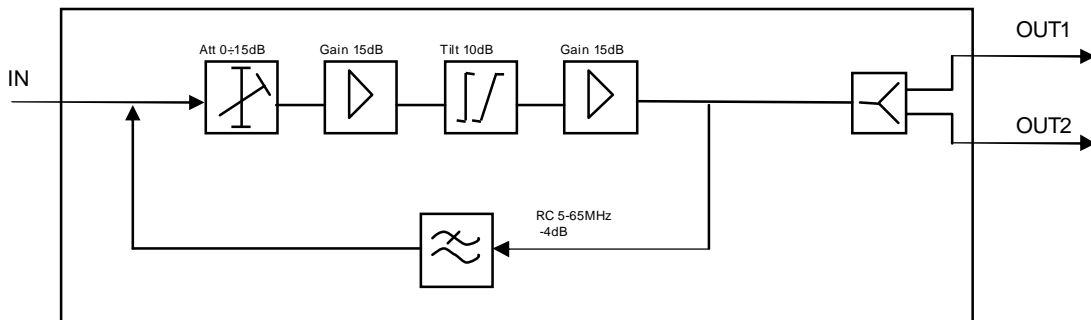
- Switch mode power supply, high efficiency and low consumption
- All the adjustments are located under the panel which can be opened or completely detached
- Screw driver included for gain and tilt adjustment
- Hidden slots for neat wall mounting
- Green LED indicates status ON

			AFI122T
Fracarro Code			223233
Inputs	no.		1
	Input 1	Band	TV
Outputs	no.		2
<b>Input 1 TV Band</b>			
Bandwidth	MHz		88-862
Gain	dB		10@88MHz, 20@862MHz
Gain adjustment	dB		15
Noise figure	dB		5,5
Maximum output level (IM3 -60dBc 3 tones)	dB $\mu$ V		2 x 108
Return path	MHz		5-65
Return path insertion loss	dB		4
<b>Main features</b>			
Return loss Typ.	dB		12
Mains	V		220-240 Vac +10% -15%
Power consumption	W		1,8
Connectors	type		F female
Dimensions (w×h×T)	mm		120×190×50
Operating temperature	°C		-10 to +55
Standard compliance			EN50083-2, EN60065 Directive 89/336/CEE(EMC),73/23/CEE(low voltage)

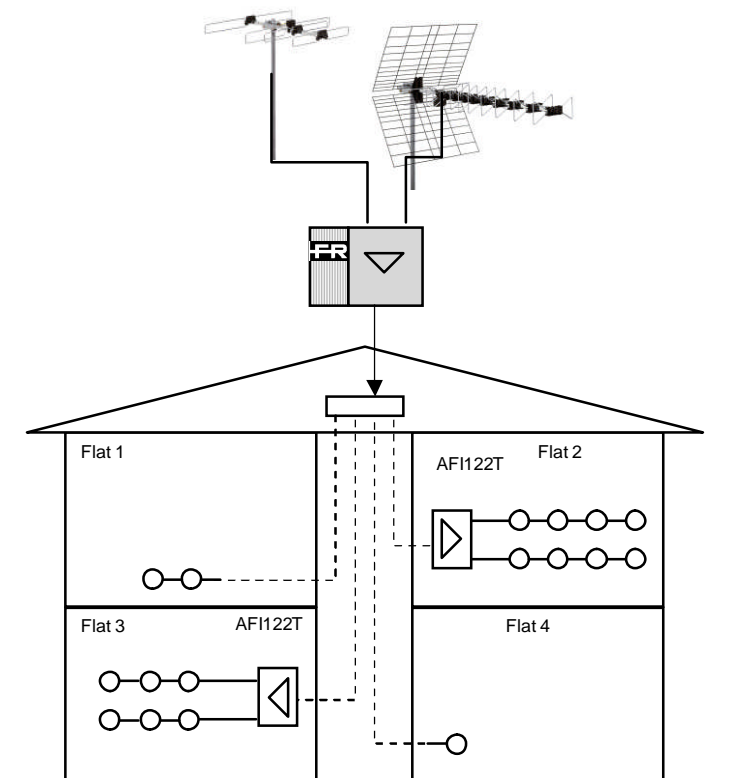
Fracarro Code	Item	Packaging	EAN code	Quantity	Dimensions	Net weight	Total weight
				Pcs	mm	Kg	Kg
223233	AFI122T	Single	8016978078837	1	120x190x50	0.340	0.350

Standard conformity EN 50083-2 (89/336/EEC-EMC)

## Block diagram



## Installation example



Fracarro Radioindustrie S.p.A.  
via Cazzaro, 3  
31033 Castelfranco Veneto (TV)  
Italy  
tel. +39 0423 7361  
fax +39 0423 736220  
www.fracarro.com  
info@fracarro.com

Fracarro (UK) Ltd  
Unit A.  
Ibex House, Keller Close  
Kiln Farm, Milton Keynes.  
MK11 3LL  
UK  
Tel. +44(0)1908 571571  
Fax +44(0)1908 571570

Fracarro Ibérica  
Polígono Táctica "Ciudad  
de los negocios"  
C/2A, nº 4 - 46980  
Paterna - Valencia  
Tel. +34/961340104  
Fax. +34/961340691

Fracarro France S.A.S.  
14 bis rue du Ratriat  
92158 Suresnes Cedex  
France  
Tel. +33 1 47283400  
Fax +33 1 47283421

Fracarro Tecnologia e  
Antenas de Televisao Lda  
Rua Alexandre Herculano, nº1-1ºB  
Edifício Central Park  
2795-242 Linda-a-Velha  
Portugal  
Tel.: +351214156800  
Fax: +351214156809